

## Product Specifications

<b>Product Family</b>	Zybrnet
<b>Category</b>	Cat.6A
<b>Product</b>	Zybrnet Connector Twisted and Shielded for Solid Core
<b>Item no.</b>	ZN63048



### Approvals

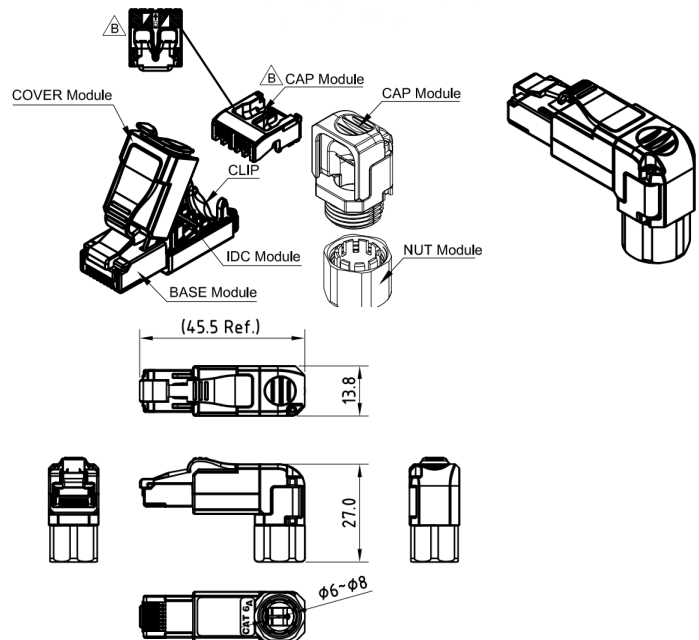
UL 1863 safety listed      ISO/IEC 11801

### Applications & Features

- ✔ Assemble in 4 positions
- ✔ Fast termination saves labor/costs
- ✔ Fully shielded, metal housing
- ✔ T568A/T568B wiring configuration
- ✔ For CAT 6A FTP Solutions

### Product Drawings

COMPONENTS		
ITEM	PART NAME	QTY
1	BASE Module	1
2	COVER Module	1
3	IDC Module	1
4	CLIP	1
5	CAP Module	1
6	REAR Module	1
7	Nut Module	1



### Physical properties

#### Materials

- Housing
- Contact Pin
- IDC Module

Zinc-alloy fully shielded  
 Phosphor Bronze alloy plated with 50 micro-inch Gold  
 Phosphor Bronze alloy with 100 micro-inch 100% Sn alloy

### Electrical & mechanical properties

#### Electrical

Di-electric withstanding voltage

1000V D.C. or A.C Peak  
 1 min @ 60 Hz a.c. contacts  
 500 MΩ min. @ 100V d.c

Insulation resistance

#### Mechanical

IDC wire gauge

22~26 AWG (Works with 26 AWG but cannot be used if previously paired with a different wire gauge.)

