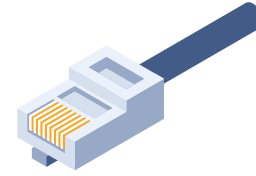


## Product Specifications

Product Family : Zybrnet  
 Category : Cat 5e  
 Product : Zybrnet Cat5e Plug – Rear Shielded  
 Item no. : 010.04.0425



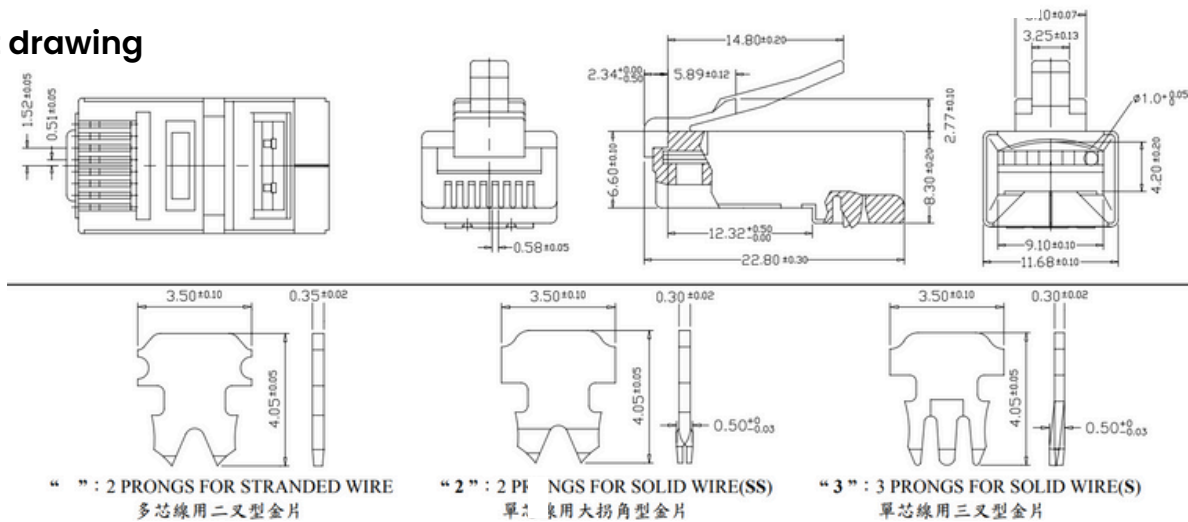
### Approvals

RoHS UL 94V-0 / 94V-2

### Applications & Features

✔ Best for rear-access ports or tight-space installs

## Product drawing



## Physical properties

### Materials

Housing	Polycarbonate (PC), UL94V-0
Contact Blade	Phosphor Bronze
Insert/Divider	-
Contact Plating	50 micro inches gold

## Electrical & mechanical properties

### Electrical

Di-electric withstanding voltage	1000V AC @ 60Hz, 1 min
Insulation resistance	100M ohms (min.)
Contact Resistance	20m ohms (max.)
DC Resistance	0.1 ohm (max.)
Current Rating	1.5 A

### Mechanical

Compatible AWG	AWG 24 to 26
Insertion Cycles	200 cycles (min.)
Operation Temperature	-10°C ~ +60°C
Compatible Wire OD	0.93mm to 1.04mm
Plug Tensile Strength	9.1 kg
Cable Type	Solid

